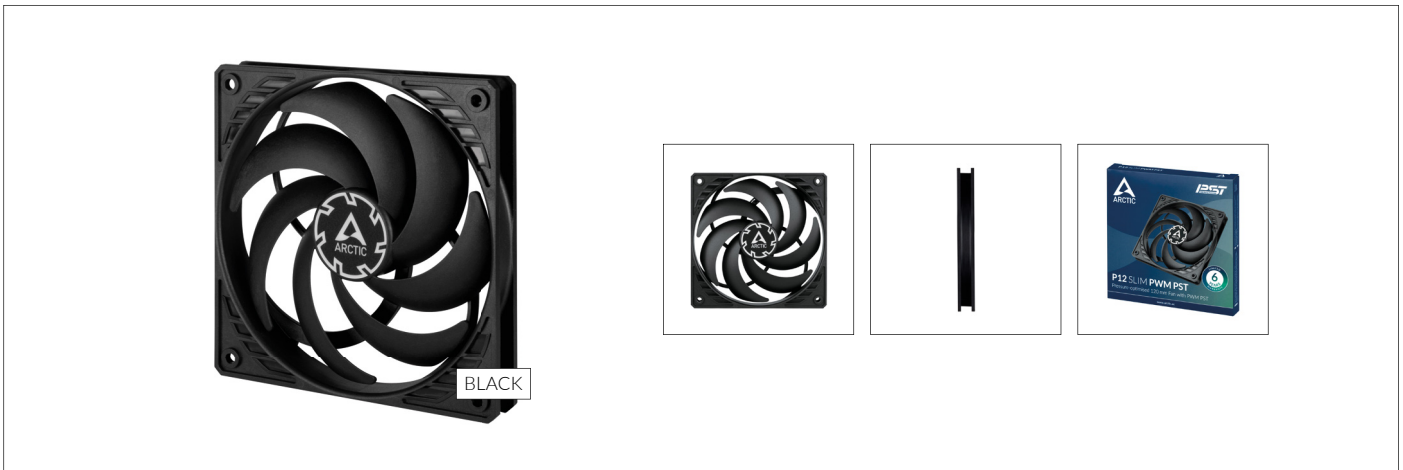


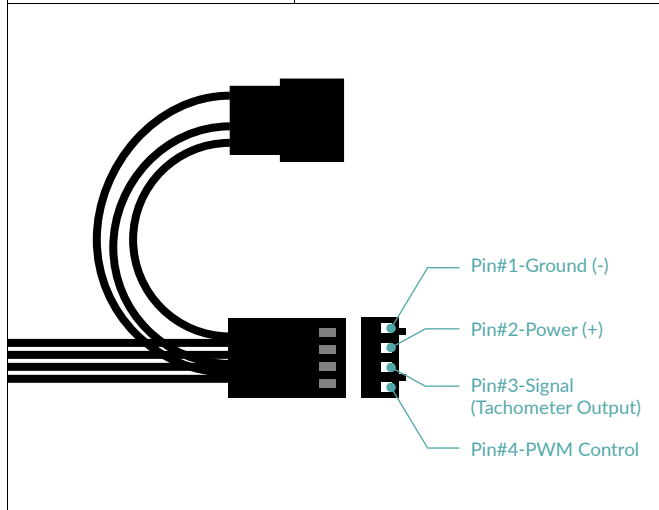
P12 Slim PWM PST

Pressure-optimised 120 mm PWM Fan with integrated Y-cable



Fan Specifications

Dimensions	120 (L) x 120 (W) x 15 (H) mm
Weight	85 g
Speed	300-2100 rpm, 0 rpm <5% PWM
rpm Control	Pulsweitenmodulation - PWM
Static Pressure	2,20 mm H ₂ O
Airflow	42,1 cfm 71,53 m ³ /h
Bearing	Dual Ball Bearing
Cable Length	400 mm
Connector	4-Pin Connector + 4-Pin Socket
Current/Voltage	0,12 A/12 V
Starting Voltage	5 V
Noise Level	0,3 Sone
Ambient Operating Temperature	0-40 °C



Shipping Information Single Fan - Black

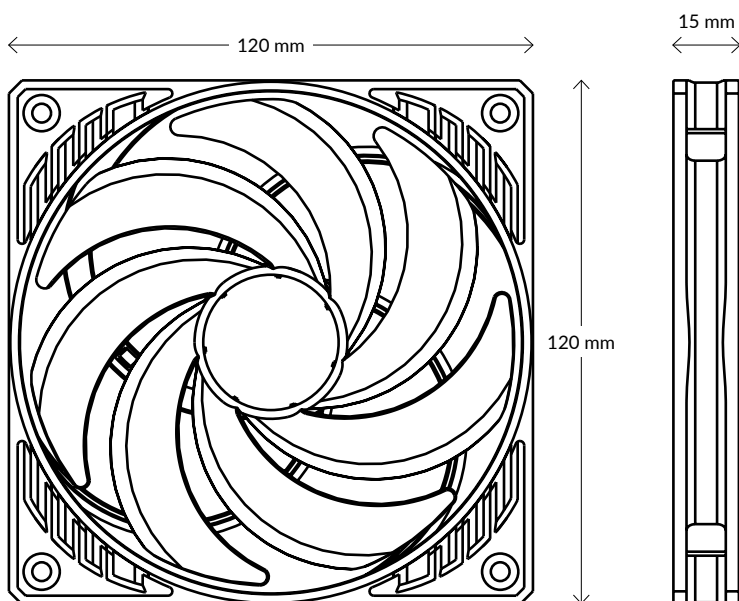
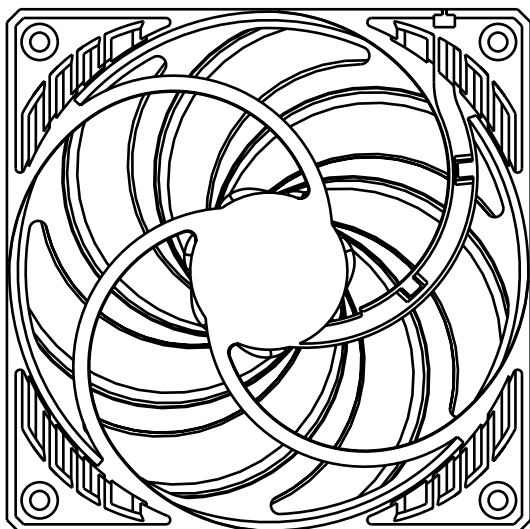
Dimensions	123 (L) x 127 (W) x 16 (H) mm
Weight	110 g
SKU	ACFAN00187A
EAN	4895213703130
UPC	840033400930
Package Content	P12 Slim PWM PST CO x1 Mounting Screws x4

Shipping Information Pack of 3 Value Pack - Black

Dimensions	123 (L) x 138 (W) x 53 (H) mm
Weight	345 g
SKU	ACFAN00275A
EAN	4895213703888
UPC	840033401692
Package Content	P12 Slim PWM PST x3 Mounting Screws x12

P12 Slim PWM PST

Pressure-optimised 120 mm PWM Fan with integrated Y-cable



All materials are compatible with RoHS requirements



 Product Information

 Manual