

F12 PWM PST

BLACK

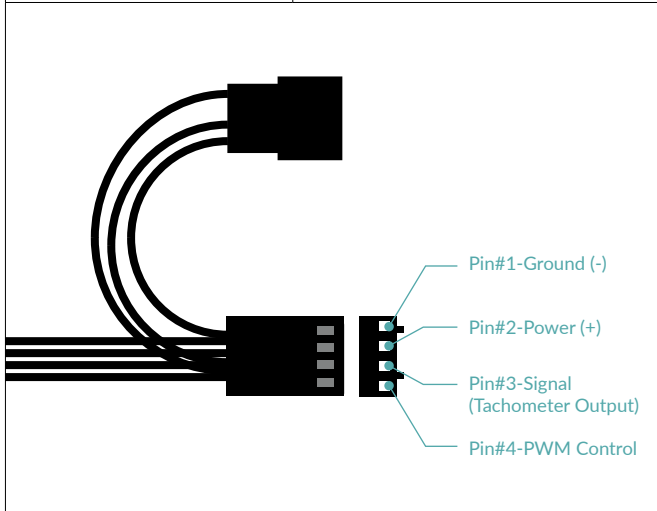


120 mm PWM PST Case Fan



Fan Specifications

Dimensions	120 (L) x 120 (W) x 25 (H) mm
Weight	109 g
Speed	230-1350 rpm
rpm Control	Pulsweitenmodulation - PWM
Control Type	PST
Static Pressure	1.0 mm H ₂ O
Airflow	53 cfm 90.1 m ³ /h
Bearing	Fluid Dynamic Bearing
Cable Length	400 mm
Connector	4-Pin Connector + 4-Pin Socket
Current/Voltage	0.24 A/12 V
Starting Voltage	6.0 V
Noise Level	0.3 Sone
Ambient Operating Temperature	0-40 °C



Shipping Information Single Fan - Black

Dimensions	123 (L) x 123 (W) x 27 (H) mm
Weight	146 g
SKU	ACFAN00200A
EAN	4895213702966
UPC	840033400763
Package Content	F12 PWM PST x1 Mounting Screws x4

Shipping Information Pack of 4 Value Pack - Black

Dimensions	123 (L) x 127 (W) x 101 (H) mm
Weight	553 g
SKU	ACFAN00260A
EAN	4895213703567
UPC	840033401371
Package Content	F12 PWM PST x4 Mounting Screws x16

Shipping Information Pack of 5 Value Pack - Black

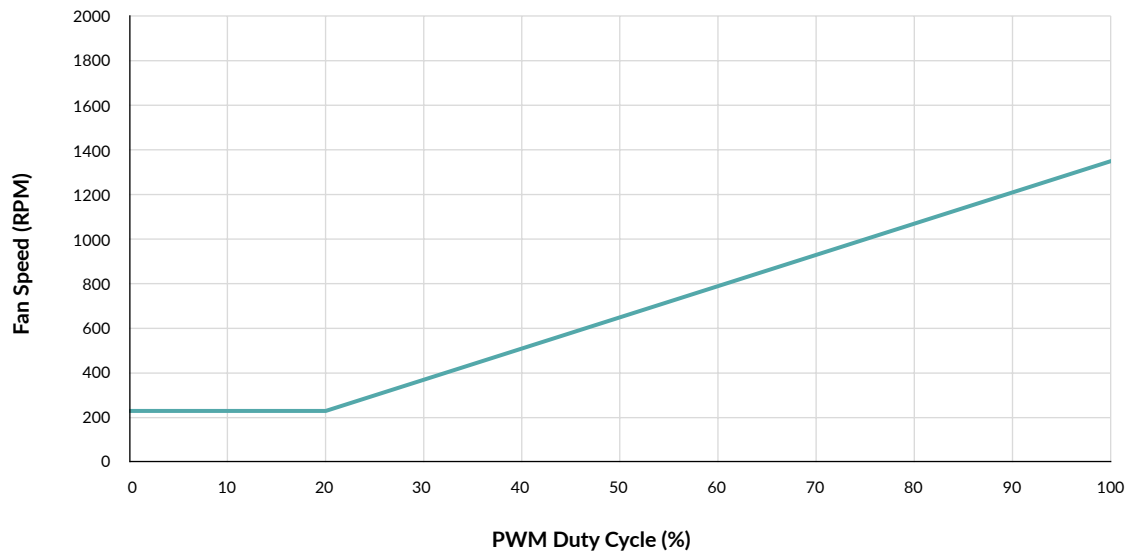
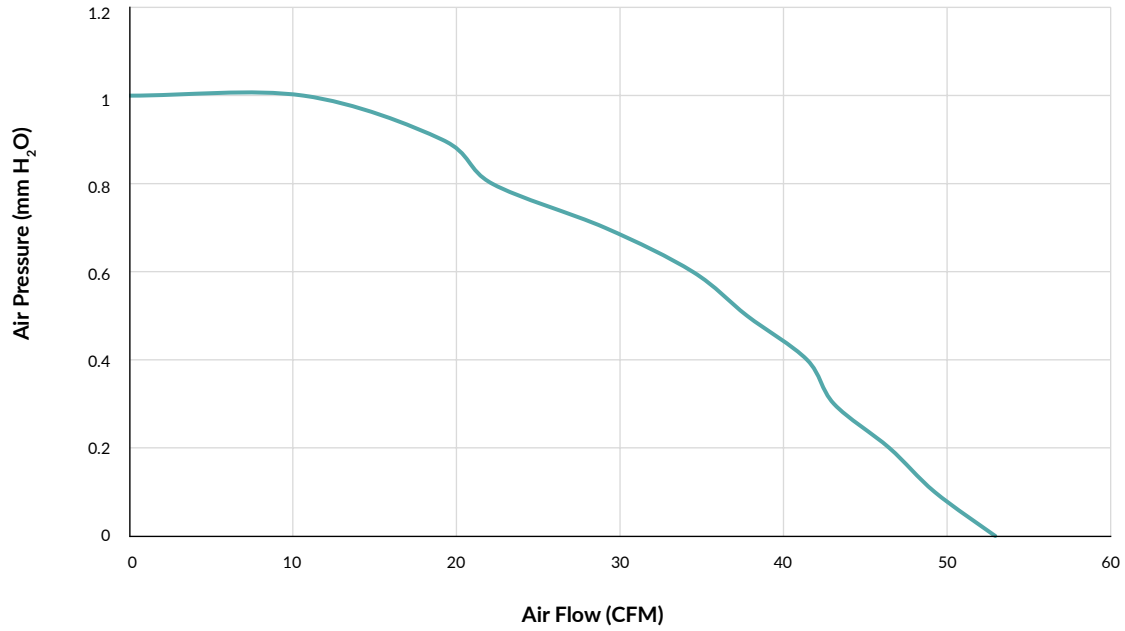
Dimensions	128 (L) x 128 (W) x 124 (H) mm
Weight	692 g
SKU	ACFAN00250A
EAN	4895213703345
UPC	840033401159
Package Content	F12 PWM PST x5 Mounting Screws x20

F12 PWM PST

BLACK



120 mm PWM PST Case Fan

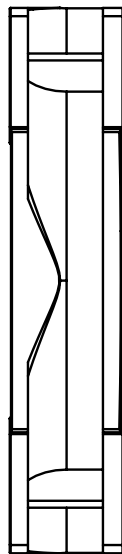
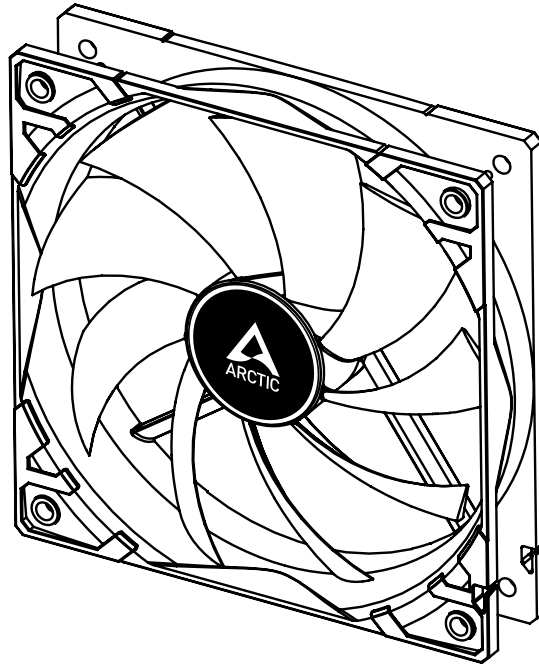


F12 PWM PST

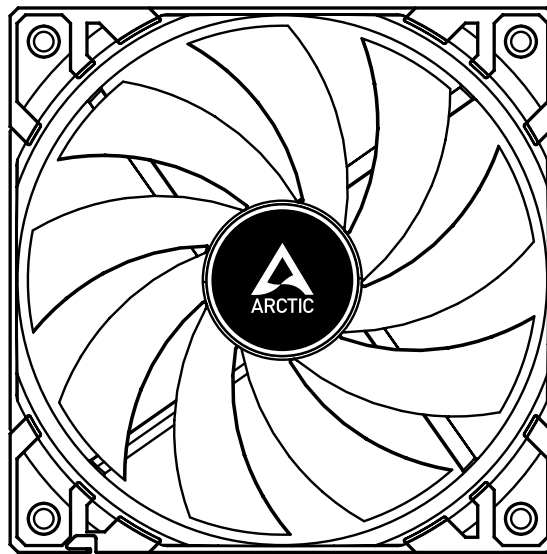
BLACK



120 mm PWM PST Case Fan



← 25 mm →



← 120 mm →



120 mm

All materials are compatible with RoHS requirements



Product Information



Manual