



Coin-type Manganese Dioxide Lithium Rechargeable Battery

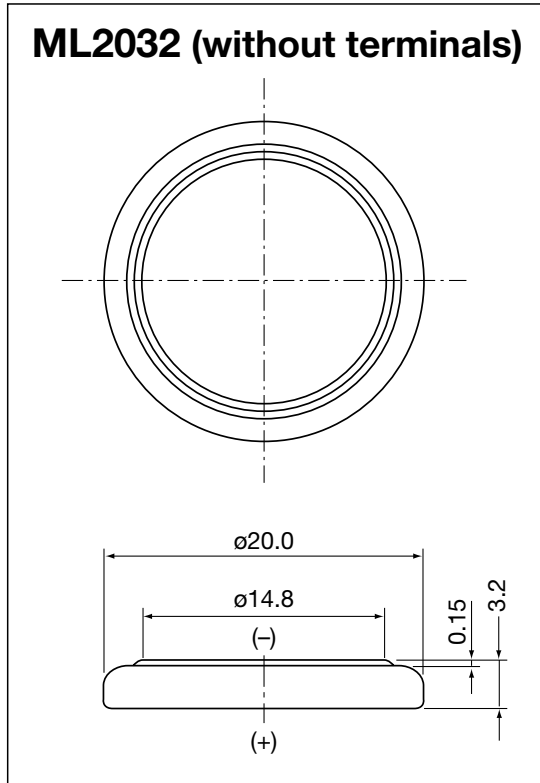
maxell

ML2032 (65mAh)

Diagrams of Batteries with Terminals

● External Dimensions (unit: mm)

Horizontal & Through hole Type



ML2032 T6	ML2032 T6 TUBE	ML2032 T14
ML2032 T25	ML2032 T32	

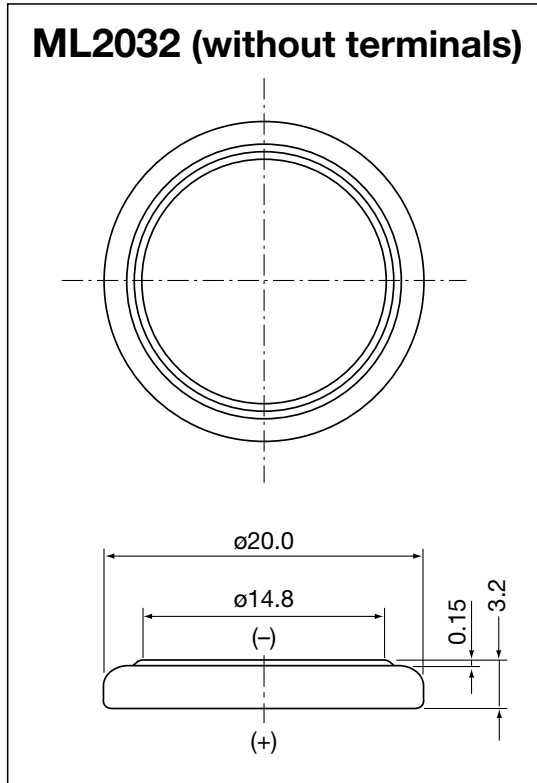
Tin plating



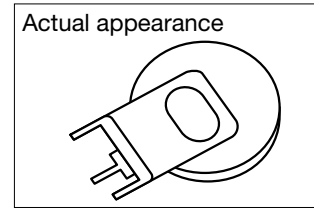
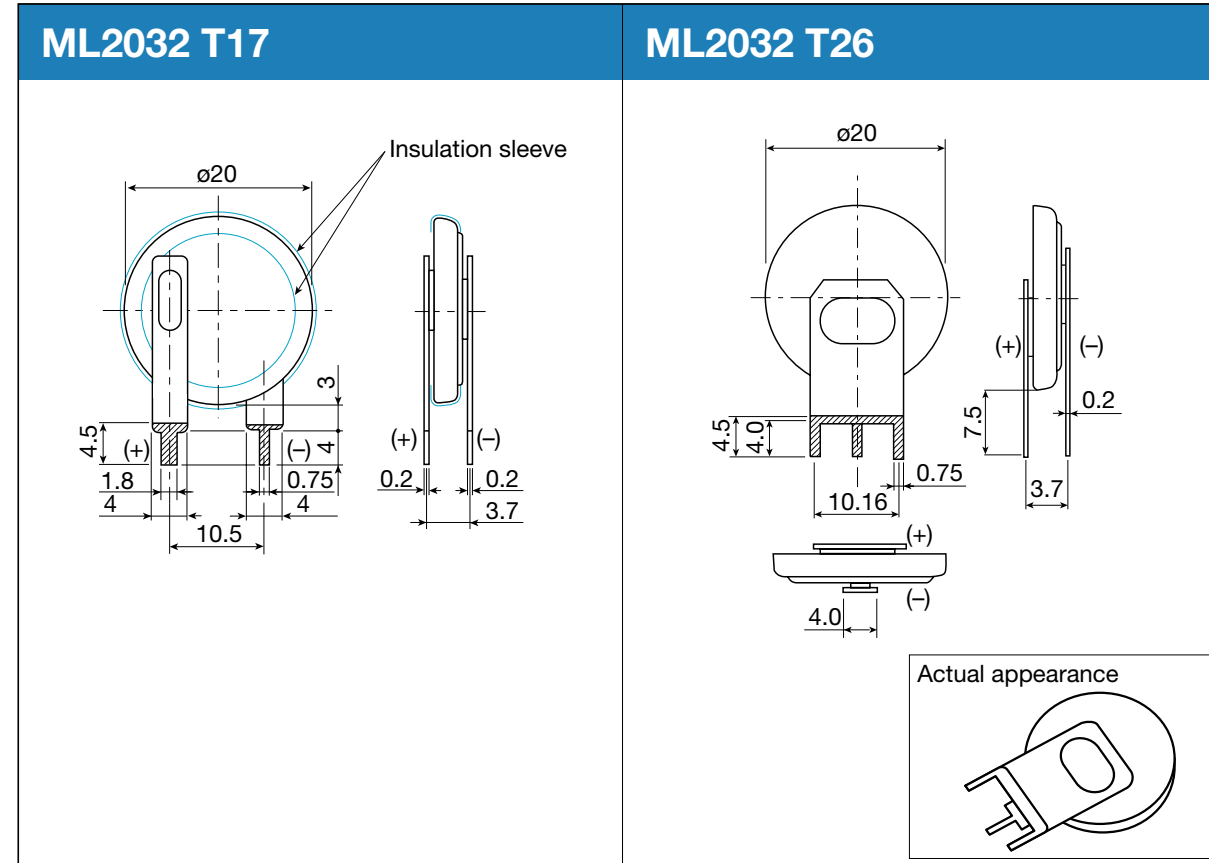
ML2032 (65mAh)

Diagrams of Batteries with Terminals

External Dimensions (unit: mm)



Vertical & Through hole Type



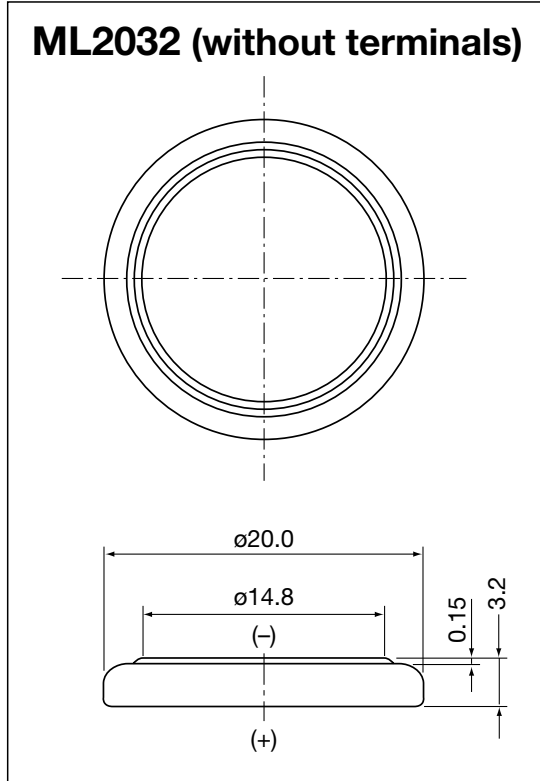
Tin plating



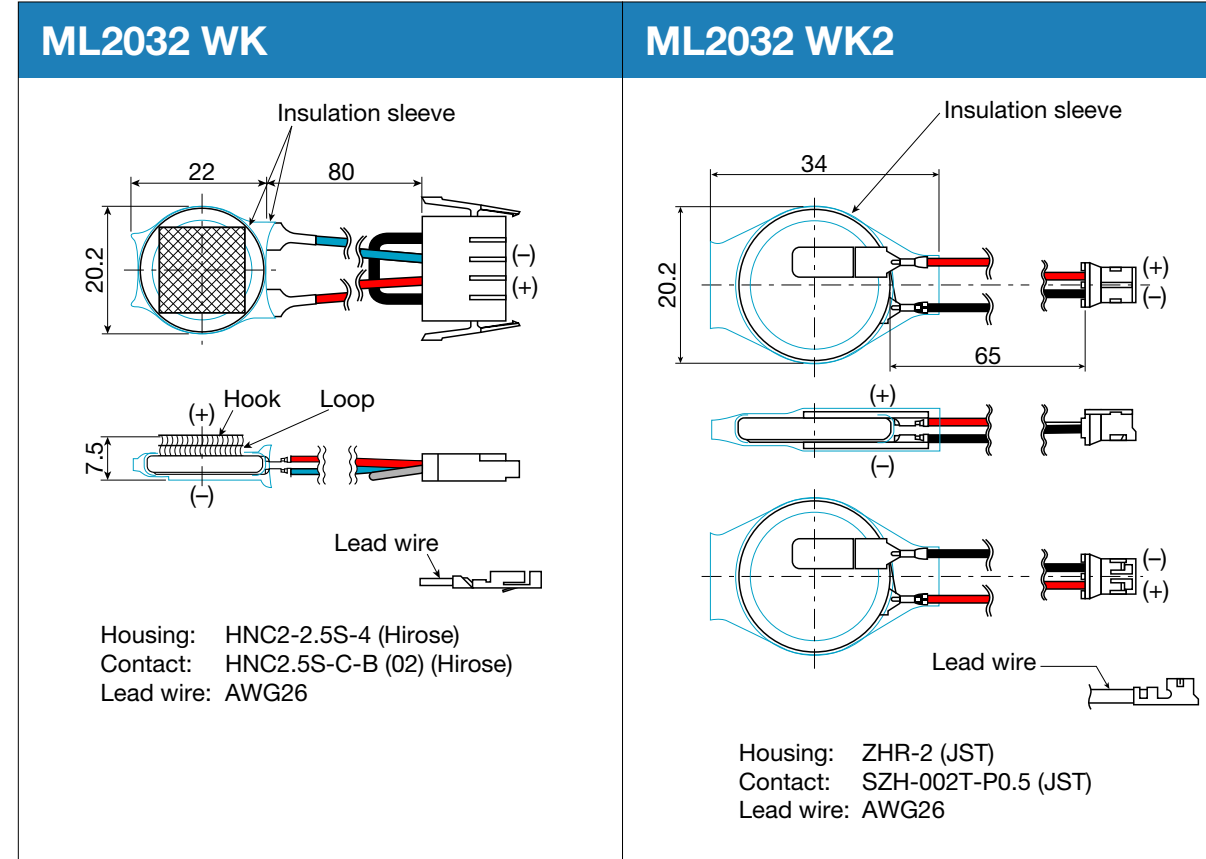
ML2032 (65mAh)

Diagrams of Batteries with Terminals

External Dimensions (unit: mm)



Wire connector Type



Tin plating