

GS-105B v5 / GS-108B v5

5/8-Port GbE Unmanaged Switches

Quick Start Guide

ENGLISH

Contents

Hardware Connection

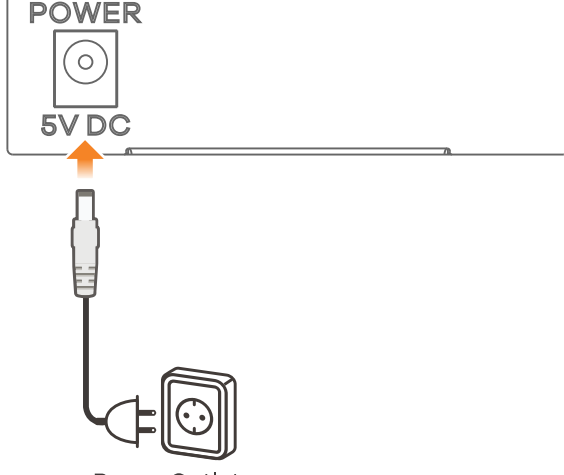
LEDs

Wall Mounting

Support Information

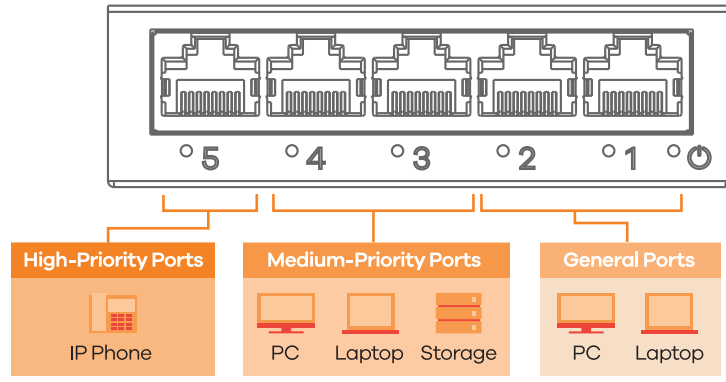
Hardware Connection

Step 1: Plug the power adapter into an outlet.

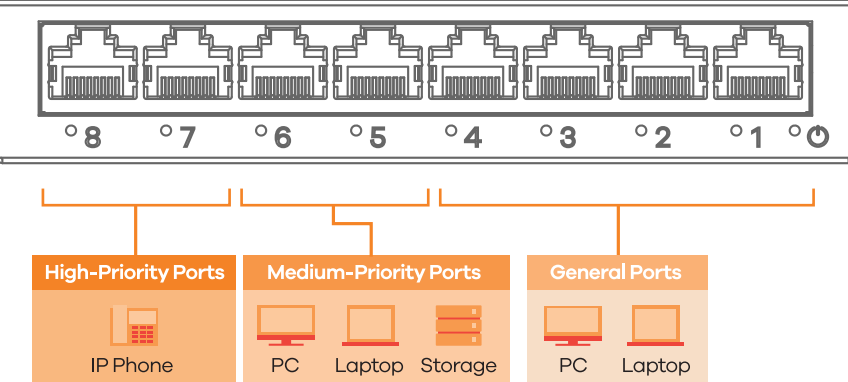


Step 2: Connect devices to ethernet ports on the switch


GS-105B v5



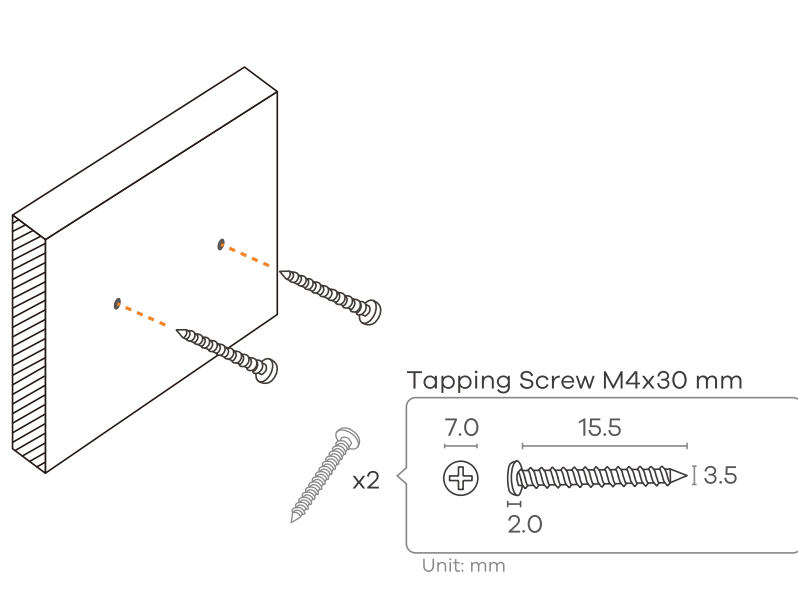
GS-108B v5



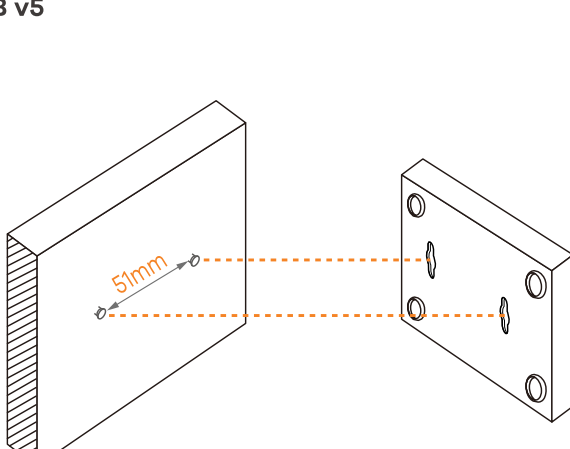
LEDs

 Power/ System	<p>Green On - The power is on.</p> <p>Off - The power is off.</p>
Port	<p>Green On - The link to a 10/100/1000 Mbps Ethernet network is up.</p> <p>Blinking - The Device is transmitting or receiving data.</p> <p>Off - The Ethernet link is down.</p>

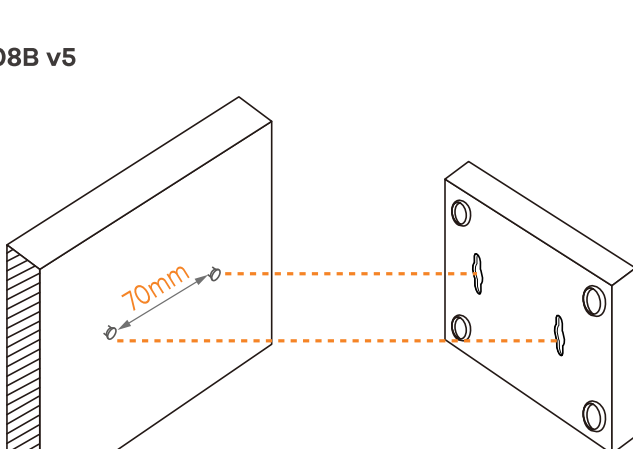
Wall Mounting



GS-105B v5



GS-108B v5



Regulatory Statements

United States of America



The following information applies if you use the product within USA area

FCC EMC Statement

- This device complies with part 15 of the FCC Rules. Operation is subject to the following two conditions:
 - (1) This device may not cause harmful interference, and
 - (2) This device must accept any interference received, including interference that may cause undesired operation.
- Changes or modifications not expressly approved by the party responsible for compliance could void the user's authority to operate the equipment.
- This product has been tested and complies with the specifications for a Class B digital device, pursuant to Part 15 of the FCC Rules. These limits are designed to provide reasonable protection against harmful interference in a residential installation. This equipment generates, uses, and can radiate radio frequency energy and, if not installed and used according to the instructions, may cause harmful interference to radio communications. However, there is no guarantee that interference will not occur in a particular installation.
- If this device does cause harmful interference to radio or television reception, which is found by turning the equipment off and on, the user is encouraged to try to correct the interference by one or more of the following measures:
 - Reorient or relocate the receiving antenna
 - Increase the separation between the equipment or devices
 - Connect the equipment to an outlet other than the receiver's
 - Consult a dealer or an experienced radio/TV technician for assistance

Canada

The following information applies if you use the product within Canada area.

Innovation, Science and Economic Development Canada ICES statement

CAN ICES-3 (B)/NMB-3(B)

Safety Warnings

- Do not store things on the device.
- Do not obstruct the device ventilation slots, as insufficient airflow may harm your device. For example, do not place the device in an enclosed space such as a box or on a very soft surface such as a bed or sofa.
- Do not remove the plug and connect it to a power outlet by itself; always attach the plug to the power adaptor first before connecting it to a power outlet.
- Do not allow anything to rest on the power adaptor or cord and do NOT place the product where anyone can walk on the power adaptor or cord.
- The following warning statements apply, where the disconnect device is not incorporated in the device or where the plug on the power supply cord is intended to serve as the disconnect device,
 - for permanently connected device, a readily accessible disconnect device shall be incorporated external to the device;
 - for pluggable devices, the socket-outlet shall be installed near the device and shall be easily accessible.

Support Information

EU

📧 <https://support.zyxel.eu>

USA

☎ + 1 800 255 4101

✉ support@zyxel.com

Taiwan

☎ + 886 2 2739 9889

✉ retail@zyxel.com.tw

Zyxel Community

📧 <https://community.zyxel.com>

See the User's Guide at www.zyxel.com for more information, including customer support and safety warnings.

UK Importer

Zyxel Networks UK
2 Old Row Court, Rose Street, Wokingham, RG40 1XZ, United Kingdom
<https://www.zyxel.com/uk/en/>

EU Importer

Zyxel Networks A/S
Gladsaxevej 378, 2. th. 2860 Søborg, Denmark
<https://www.zyxel.com/dk/da/>

US Importer

Zyxel Communications, Inc.
1130 North Miller Street Anaheim, CA 92806-2001
<https://www.zyxel.com/us/en/>