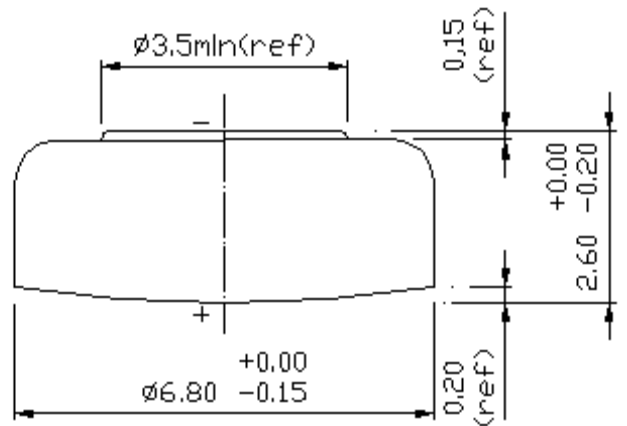


Model No.: **GP177F**

**Type** : Mercury and Lead Free Button Cell  
**Chemical System** : Zinc/Manganese Dioxide  
**Nominal Voltage** : 1.5V  
**Nominal Dimension** :  $\Phi 6.80 \times 2.6\text{mm}$   
**Applications** : Calculator, hearing, lighter, camera,...etc.  
**Average Weight** : 0.4g  
**Shelf Life** : Not less than 90% of the service capacity within first year storage at  $20 \pm 2^\circ\text{C}$   $55 \pm 20\%$  RH; Warranty 1 year.  
**Date Code** : Unless otherwise specified, each cell will carry a numeric year code and an alphabetical month code.



Unit:mm

**Close Voltage** : 1.2V(min.)(load resistor  $400\Omega$  at  $20^\circ\text{C}$  for 0.1 to 2 seconds)  
**Nominal Life** : 140hrs (load  $15\text{k}\Omega$  to cut off 1.0V under  $20^\circ\text{C}$ )  
**Average Capacity** : 12mAh (load  $15\text{k}\Omega$  to cut off 1.0V under  $20^\circ\text{C}$ )

Cross References:  
 IEC            JIS            Others

LR626SW   LR626    AG4

Typical Discharge characteristics for Reference only at  $20 \pm 2^\circ\text{C}$

