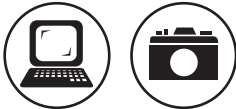


BENEFITS:

- Wide range of operating temperatures, from -10°C to +60°C
- Long shelf life of 10 years



APPLICATIONS BEST FOR:



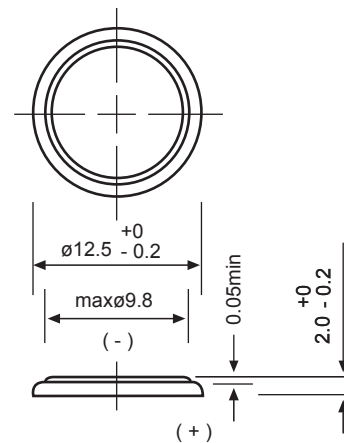
- GP Lithium Cell Battery
- 3 Volts

Other Details:

- Lithium Manganese Dioxide chemistry
- Button cell type
- Store lithium coin cells out of sight and reach of young children

CROSS REFERENCES:

IEC	GP/Energizer/Varta/Sony/Maxell
CR1216	CR1220



Unit : mm