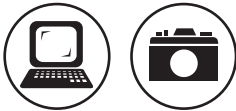


**BENEFITS:**

- Wide range of operating temperatures, from -10°C to +60°C
- Long shelf life of 10 years



**APPLICATIONS BEST FOR:**



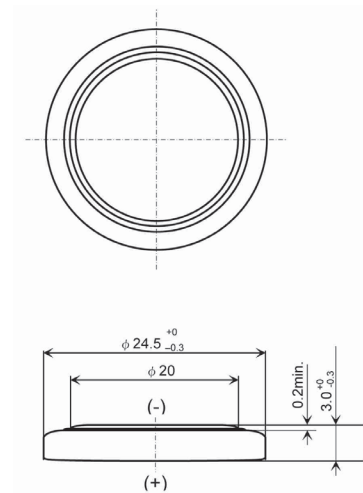
- GP Lithium Cell Battery
- 3 Volts

**Other Details:**

- Lithium Manganese Dioxide chemistry
- Button cell type
- Store lithium coin cells out of sight and reach of young children

**CROSS REFERENCES:**

IEC	GP/Energizer/Varta/Sony/Maxell	Duracell
CR2430	CR2430	2430



Unit : mm