

User Manual / Installation

Mobile Stand for IFP (EDU)

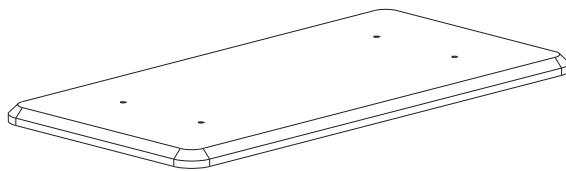


2019

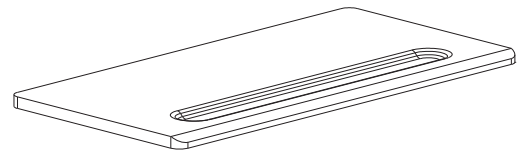
⚠ CAUTION :

- Please read this instruction carefully before assembly.
- This model will hold 55-98 inch Interactive Flat Panels.
- Weight capacity: 150kg / 330 lbs.
- Suitable for institutional use.
- No user serviceable parts.

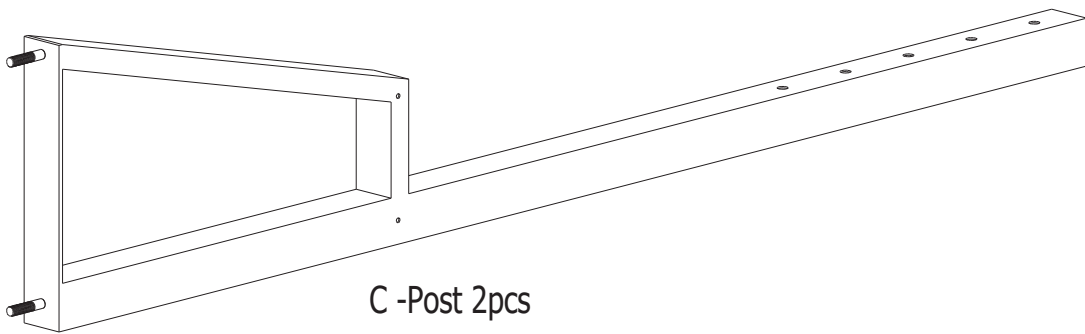
PARTS IDENTIFICATION



A -Floor 1pc



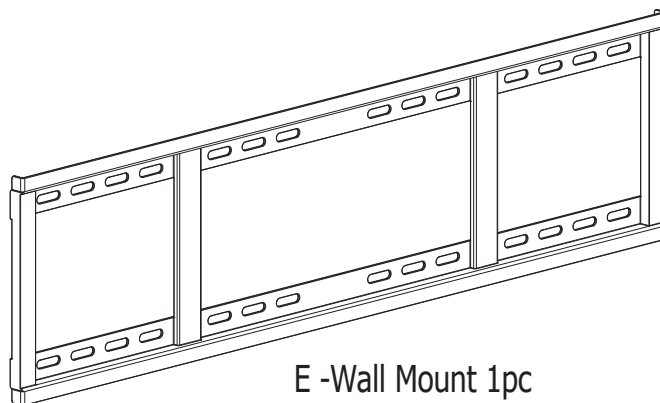
B -Partion 1pc



C -Post 2pcs














D -Strip 2pcs



E -Wall Mount 1pc

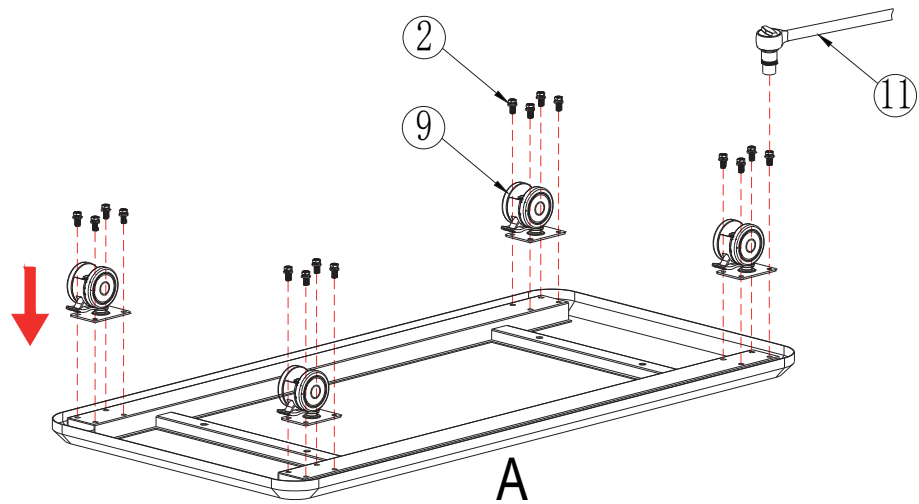
- ⚠ **WARNING:** Product needs to be installed by professional
- ⚠ **WARNING:** For use with IFP weighing 150kg / 330 lbs or less. Use with heavier IFP may result in instability causing tip over resulting in death or serious injury.
- ⚠ **WARNING:** For use with Camera weighing 1kg / 2 lbs or less. Use with heavier equipment may result in instability causing tip over resulting in death or serious injury.
- ⚠ **WARNING:** For use with equipment weighing 5 kg / 11 lbs or less. Use with heavier equipment may result in instability causing tip over resulting in death or serious injury.
- ⚠ **WARNING:** Death or serious injury may occur when children climb on audio and/or video equipment furniture. A remote control or toys placed on the furnishing may encourage a child to climb on the furnishing and as a result the furnishing may tip over on to the child.
- ⚠ **WARNING:** Relocating audio and/or video equipment to furniture not specifically designed to support audio and/or video equipment may result in death or serious injury due to the furnishing collapsing or over turning onto a child.

HARDWARE IDENTIFICATION

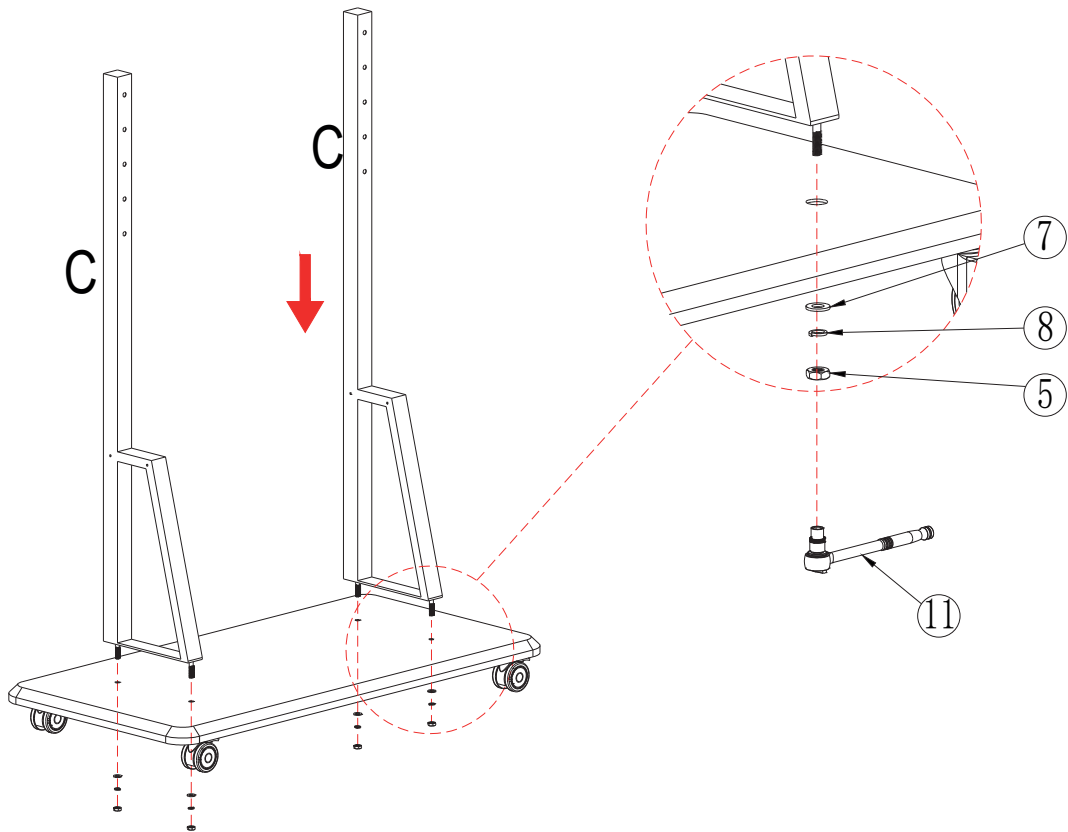
① Hex Bolt	M5*15	4pcs	
② Hex Bolt	M8*20	16pcs	
③ Hex Bolt	M8*70	4pcs	
④ M8 Nut	M8*6	4pcs	
⑤ M10 Nut	M10*6	4pcs	
⑥ M8 Washer	20*8.5*1.5	4pcs	
⑦ M10 Washer	20*10*1.5	4pcs	
⑧ M10 Spring washer	M10	4pcs	
⑨ Wheel		4pcs	
⑩ Bring your own phillips screwdriver		1pc	
⑪ Bring your own socket wrench		1pc	

Safety directions:

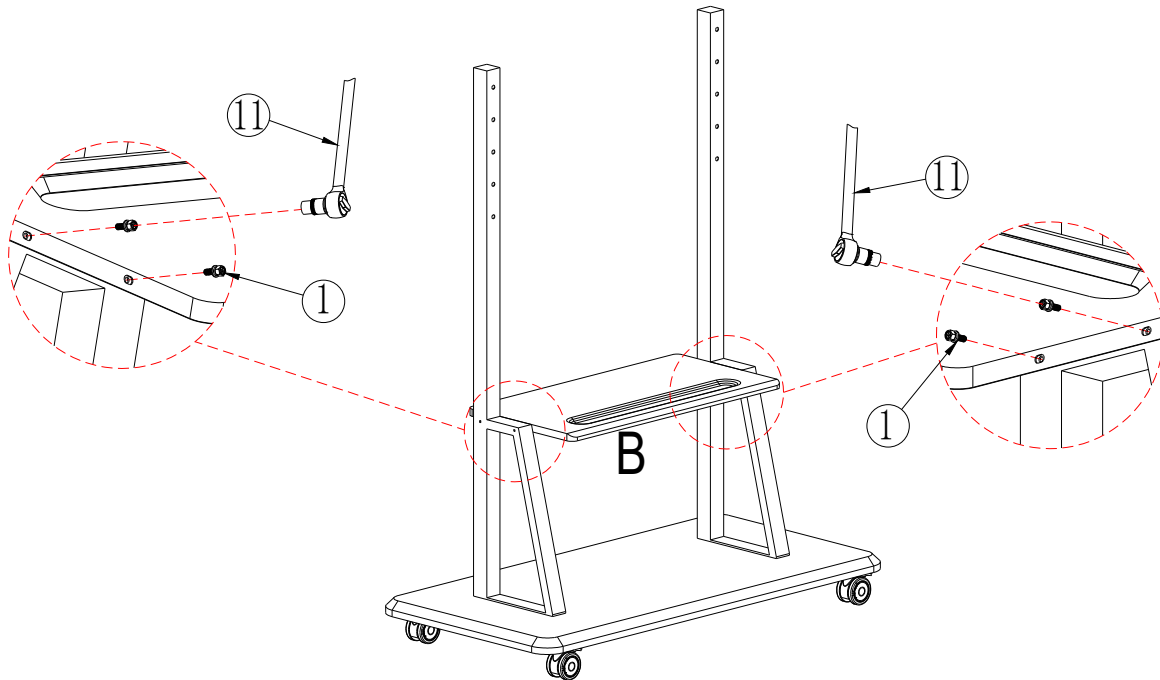
Step 1 Attach wheel ⑨ on the base plate (A), and tighten with bolt ②



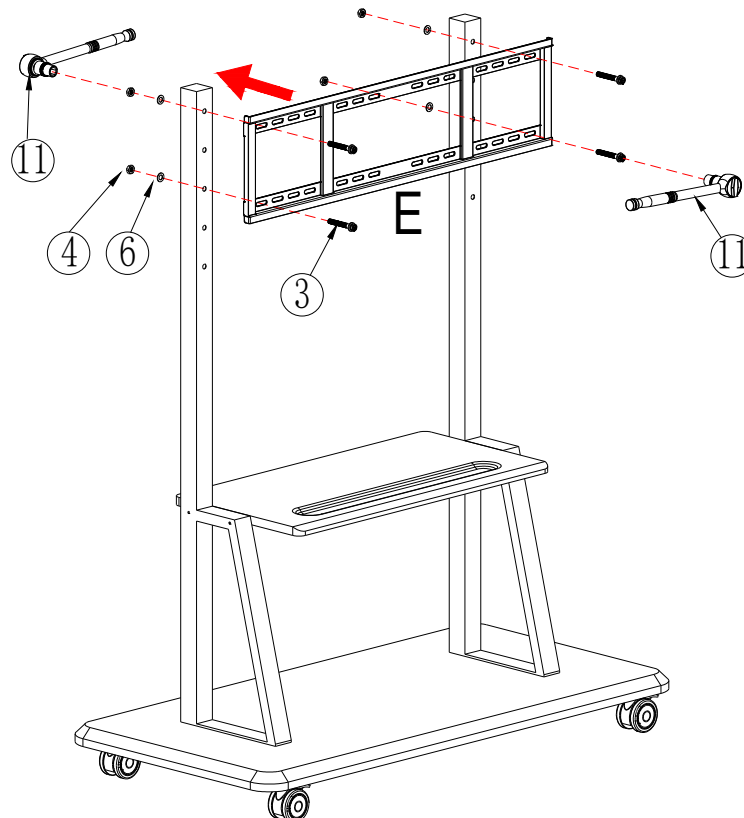
Step 2 Attach post (C) on the assembled base plate (A) in step 1, and tighten them



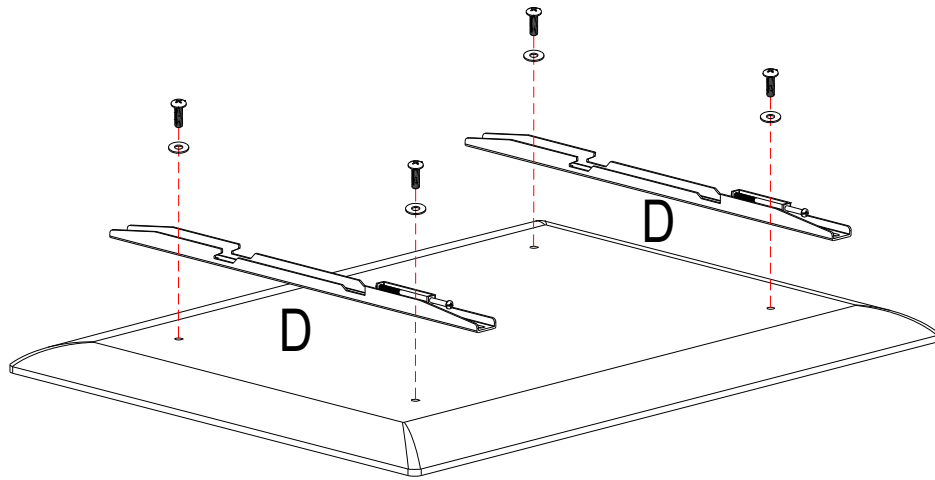
Step 3 Install plate(B) on the post, and use bolt ① to tighten



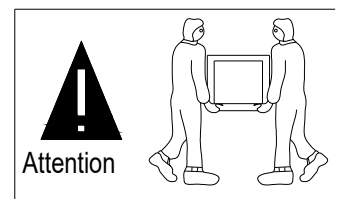
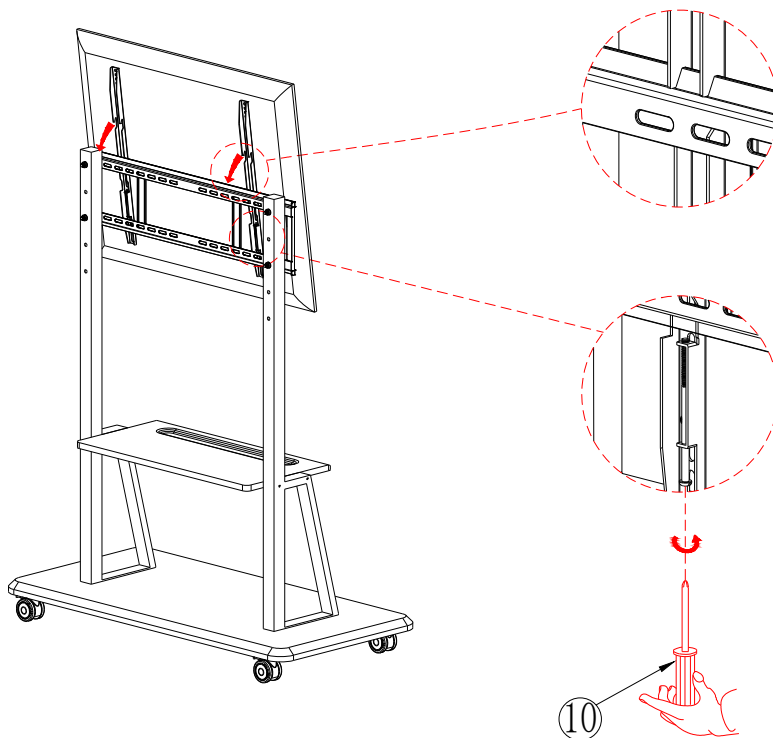
Step 4 Install wall mount(E) on the post, and use bolt ③ to tighten



Step 5 Attach the bracket (D) on the back of the IFP, use suitable bolt to tighten them






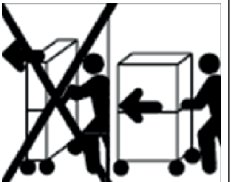
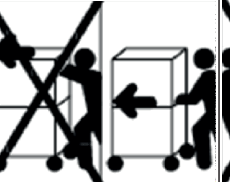
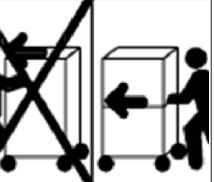
Step 6 Hold the IFP with assembled bracket on the wall plate, and tighten the safety bolts



⚠ WARNING: Death or serious injury may occur when children climb on audio and/or video equipment furniture. A remote control or toys placed on the furnishing may encourage a child to climb on the furnishing and as a result the furnishing may tip over on to the child.

⚠ WARNING: Relocating audio and/or video equipment to furniture not specifically designed to support audio and/or video equipment may result in death or serious injury due to the furnishing collapsing or over turning onto a child.

⚠ WARNING: For use with 98" IFP or less. Use with larger size IFP may result in instability causing tip over resulting in death or serious injury.

 WARNING 				
CAN TIP OVER RESULTING IN RISK OF INJURY. DO NOT ALLOW CHILDREN UNDER 16 TO MOVE CART. MOVE CART SLOWLY.	ONLY ADULTS SHOULD MOVE THIS UNIT	APPLY MOVING FORCE ON NARROW DIMENSION	NEVER APPLY FORCE AT TOP-ALWAYS PUSH NEAR MIDDLE	PUSH, DON'T PULL

Warranty

Please contact your local supplier regarding warranty options in your territory.

Technical support

Please fill in your RMA or Product question on our website
<https://www.triumphboard.com/support/technical-support/>

You can find our standard warranty conditions on our website
www.triumphboard.com/support/warranty

If you have any questions, please email us at contact@triumphboard.com

Notices

Every effort has been made to ensure all information contained in this manual is correct, but the accuracy or completeness is not guaranteed. Before using this product, you must evaluate it and determine if it is suitable for your intended application. You assume all risks and liability associated with such use. Any statements related to this product not contained in this manual or any contrary statements appearing on your purchase order shall have no force of effect unless expressly agreed upon, in writing, with this company.

Reproduction or reprinting of this user guide or any part without permission is prohibited.

The content of this user manual is subject to change without prior notice.