

Alpine 23

Compact AMD CPU Cooler



General Specifications

Compatibility	AMD® AM4
Heatsink	Radial Heatsink
Fan Diameter	90 mm
TIM	MX-2 pre-applied
Noise Level	0.3 Sone
Dimensions	121 (L) x 98.6 (W) x 65 (H) mm
Weight	275.5 g

Heatsink Specifications

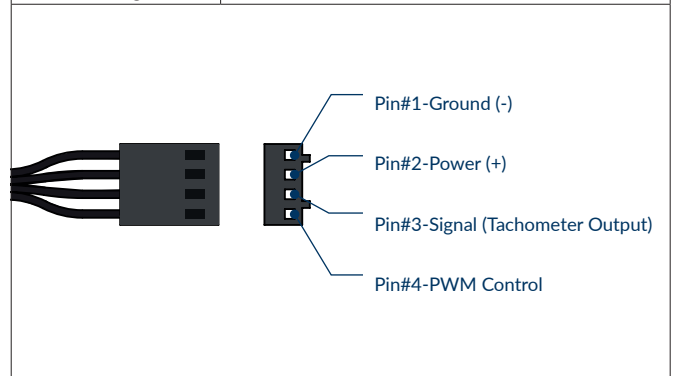
Outer Diameter	93.4 mm
Core Diameter	32 mm
Number of Fins	50 Y-shaped fins
Material	Aluminium

Shipping Information

Box Dimensions	111 (L) x 111 (W) x 76 (H) mm
Gross Weight	275 g
SKU	ACALP00035A
EAN	4895213702829
UPC	840033400626

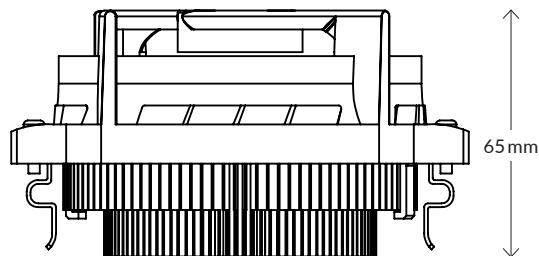
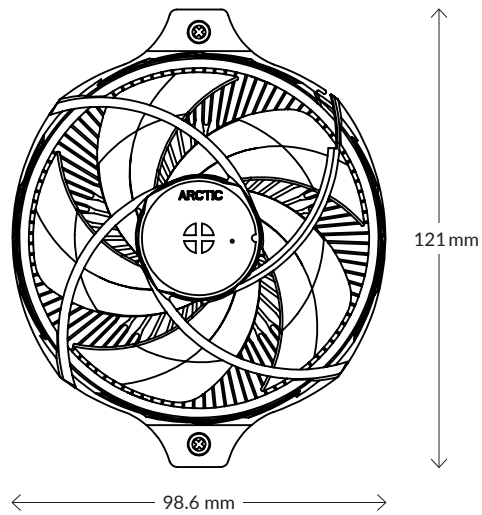
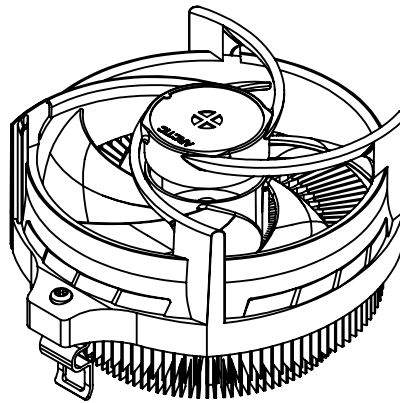
Fan Specifications

Speed	100–2000 rpm
Speed Control	Pulse Width Modulation
Connector	4-Pin Connector
Bearing	Fluid Dynamic Bearing
Current/Voltage	0.06 A/12 V



Alpine 23

Compact AMD CPU Cooler



All materials are compatible with RoHS requirements



 Product Information

 Manual