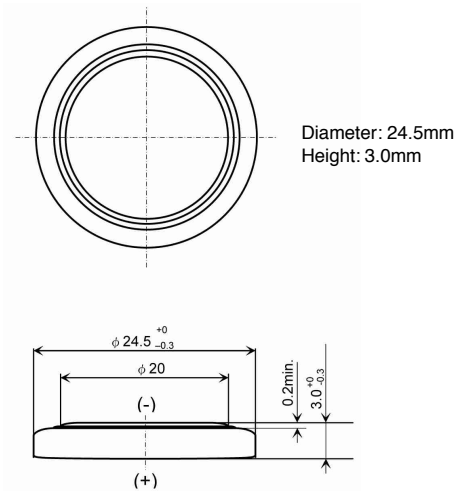


**Description** : Flat Lithium Battery  
**Chemical system** : Lithium Manganese Dioxide  
**Nominal voltage** : 3 Volts  
**Nominal capacity** : 300mAh@6.8k $\Omega$  to 2.5V  
**Dimensions** :  $\phi$ 24.5 x 3.0mm  
**Shelf life** : 10 years at room temperature  
**Average weight** : 4 grams  
**Application** : Watch, calculator, camera and memory back up

### Cross References:

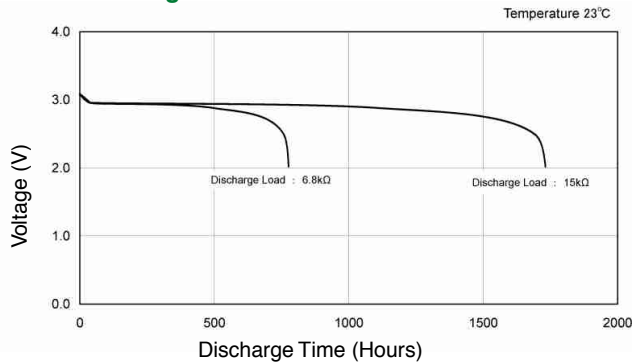
IEC	JIS	Eveready	Varta	Duracell
CR2430	CR2430	ECR2430	CR2430	DL2430

Model No.: **CR2430**

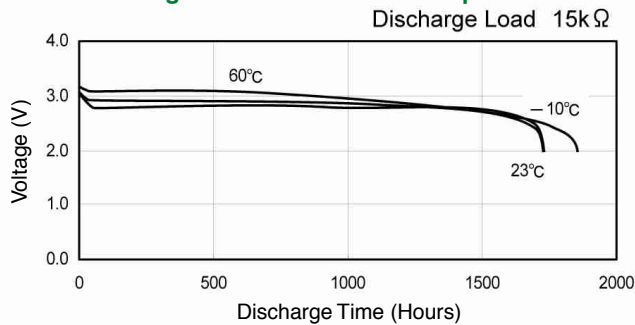


**Dimension Drawing**

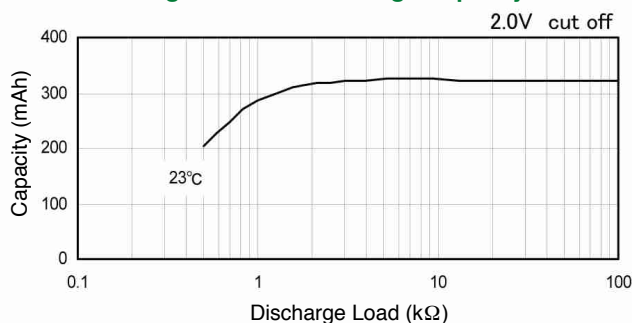
### Discharge Characteristics on Load



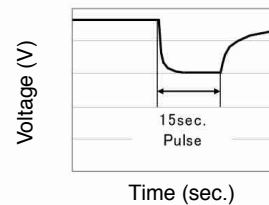
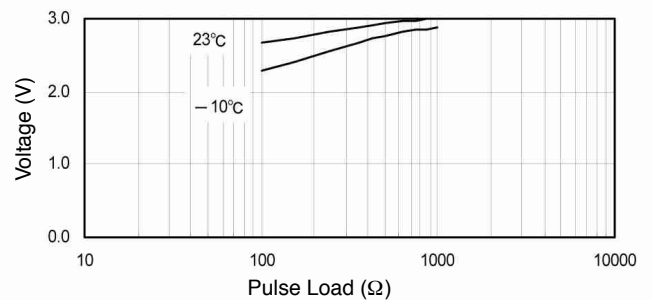
### Discharge Characteristics on Temperature



### Discharge Load vs. Discharge Capacity



### Discharge Characteristics on Pulse Load (Discharge depth 40%)



The information (subject to change without prior notice) contained in this document is for reference only and should not be used as a basis for product guarantee or warranty. For applications other than those described here, please consult your nearest GP Sales and Marketing Office or Distributors.