

**BENEFITS:**

- The preferred power source for sophisticated photographic equipment
- Maintains high performance in extreme weather (-40°C to +60°C)
- Maintains excellent discharge performance at extremely low temperature



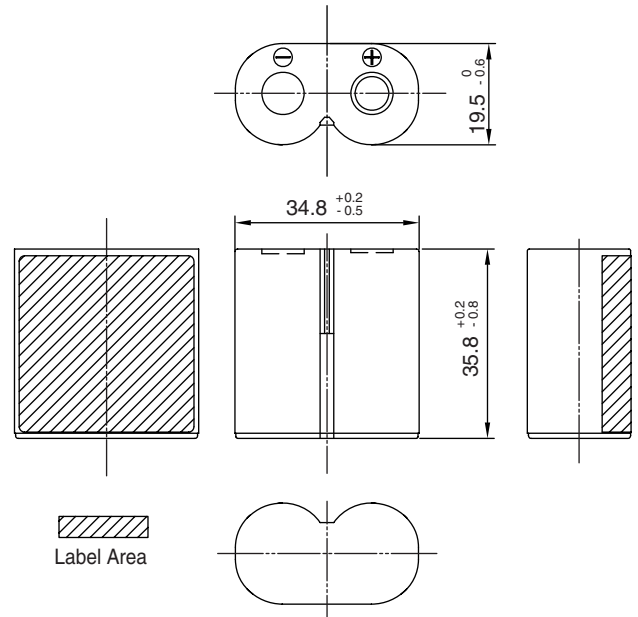
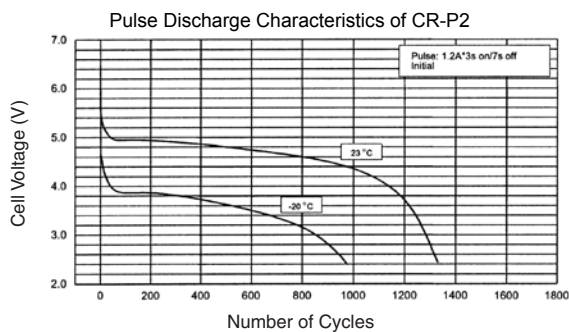
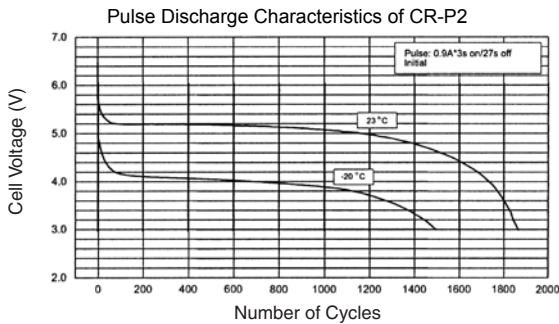
- **GP Lithium Battery**
- **6 Volts**

**APPLICATIONS BEST FOR:**



**Other Details:**

- Lithium Manganese Dioxide chemistry
- Average weight: 37g



Unit : mm

